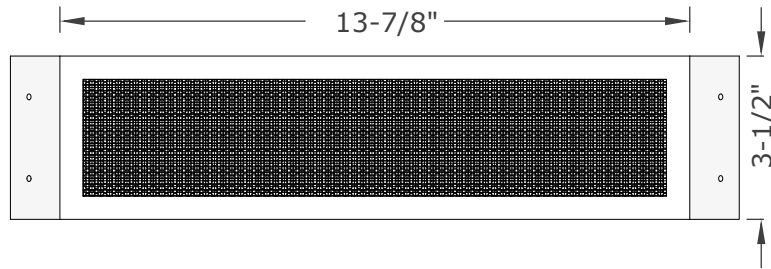


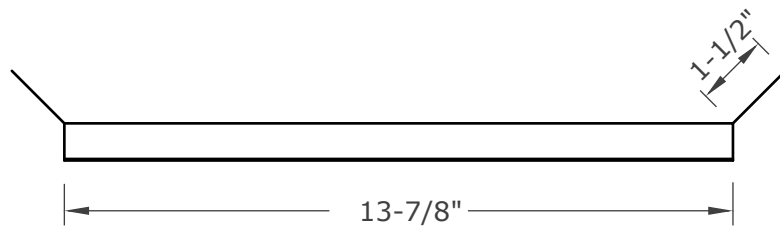
Approved for use in the Wildland Urban Interface (W.U.I.)

Chapter 7A compliant: Tested and listed to ASTM E2886. **ICC-ESL** listing: 1300

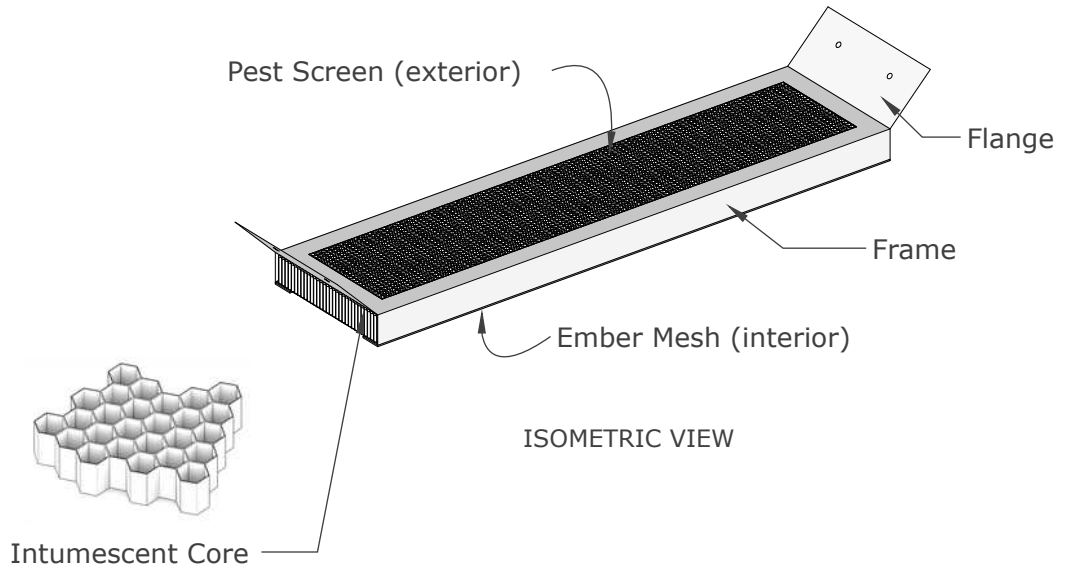
WWW.VULCANVENTS.COM (916) 652-7424 info@newcalmetals.com P.O. Box 1126 Loomis, CA. 95650



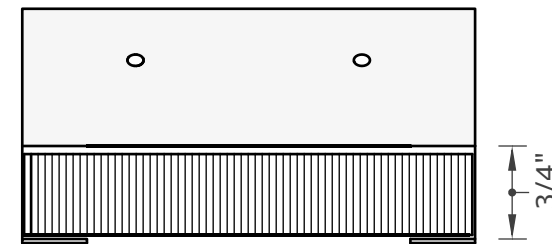
TOP VIEW



SIDE VIEW



ISOMETRIC VIEW



END VIEW

VE3514 PRODUCT SPECIFICATION & DATA SHEET

Proudly Manufactured By: 

www.newcalmetals.com

Model Description | **Eave Vent**
Model Number | **VE3514**
Model Size | **13-7/8" x 3-1/2"**

Flange Type | **Standard**
NFVA | **24 sq. in.**

Frame & Flange | **G90 Galvanized Steel - 26GA**
Intumescent Core | **5mm Hexagonal Matrix - Aluminum with intumescent coating**
Ember Mesh | **14 Mesh - 304 Stainless Steel (Faces interior)**
Pest Screen | **Galvanized Steel Screen - 1/8" (Faces exterior)**

