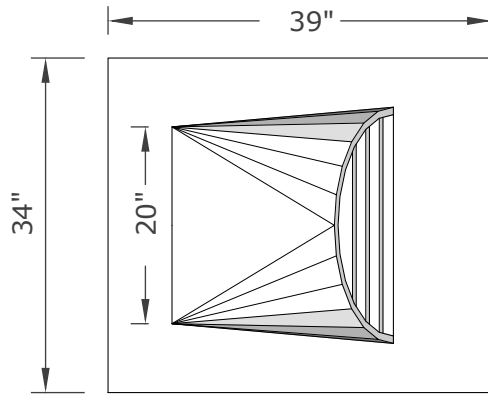


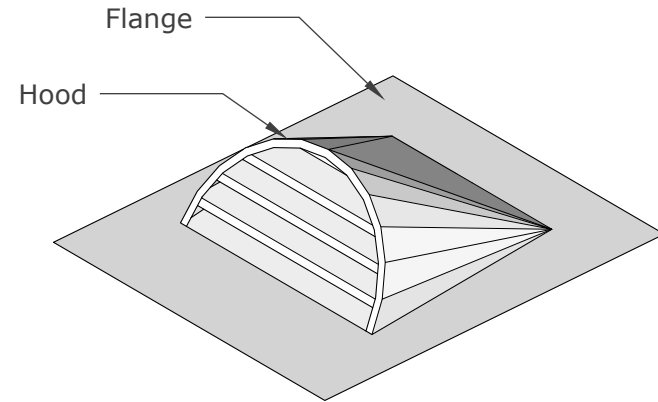
Approved for use in the Wildland Urban Interface (W.U.I.)

**Chapter 7A** compliant: Tested and listed to ASTM E2886. **ICC-ESL** listing: 1300

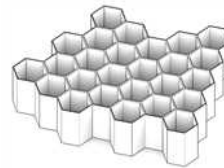
WWW.VULCANVENTS.COM (916) 652-7424 info@newcalmetals.com P.O. Box 1126 Loomis, CA. 95650



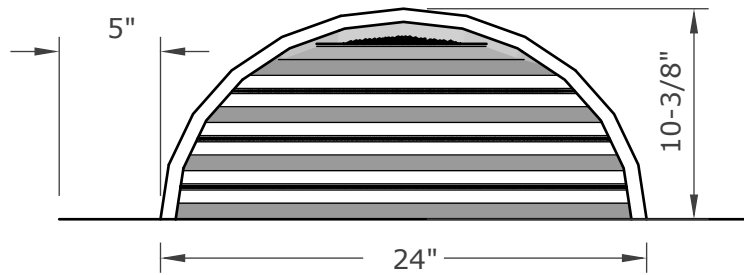
TOP VIEW



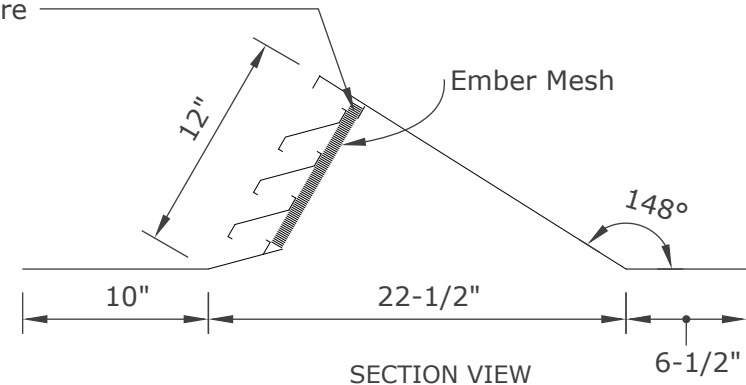
ISOMETRIC VIEW



Intumescent Core



FRONT VIEW



SECTION VIEW

**VDHR1224 PRODUCT SPECIFICATION & DATA SHEET**

Proudly Manufactured By: **NEW CAL METALS INC.**

www.newcalmetals.com

Model Description	<b>Half Round Dormer Vent</b>	Flange Type	<b>Standard</b>	Frame & Flange	<b>G90 Galvanized Steel - 26GA</b>
Model Number	<b>VDHR1224</b>	NFVA	<b>90 sq. in.</b>	Intumescent Core	<b>5mm Hexagonal Matrix - Aluminum with intumescent coating</b>
Model Size	<b>12" x 24"</b>			Ember Mesh	<b>14 Mesh - 304 Stainless Steel</b>